

**TRITON**

Challenging Excellence

**A MOVEMENT  
CALLED SAFETY**





India's largest manufacturer of automotive tyre valves, valve cores and accessories, Triton, was established in 1976 by a visionary entrepreneur, the late M.V. Gokarn. Triton was born out of a vision – to create a world standard manufacturing facility for tyre valves in India. Many breakthroughs, benchmarks and enriching decades later, today, we continue to enjoy the patronage of highly respected customers ranging from small tyre shops to the world's leading vehicle and tyre manufacturers. Every month, we turn out millions of high precision valves and cores which find their way into tyres and rims of all sizes of vehicles from motorcycles and scooters to heavy-duty trucks and even aircraft.

Our manufacturing facilities are qualified for ISO/TS 16949:2009, ISO 14001:2004 and ISO 18001:2007. Our facilities consist of automatic lines for the production of valve stems, rubber

moulding and assemblies. Our testing facilities and laboratories are industry benchmarks. Our skilled technicians, engineers and managers are capable of meeting specific needs of customers across the world and often develop new products to suit ever changing customer expectations. All our team members are well trained and aware of their responsibility to customer safety, after all we produce safety parts!

We present to you here, our 2014 catalogue, with the complete range of products that can be offered for supply.

We look forward to partner with you in this movement called safety.



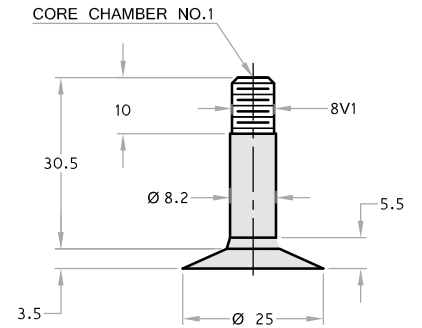
---

# CONTENTS

---

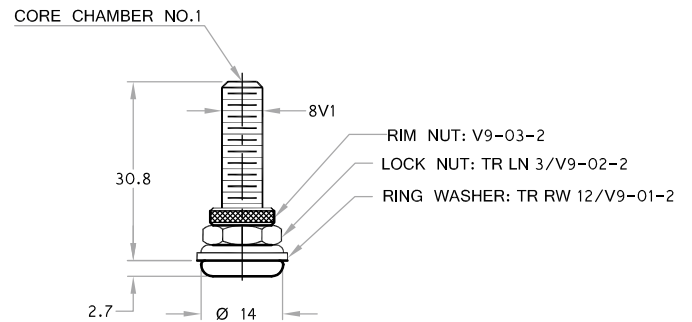
NO.	PRODUCTS NAME	PAGE NO.
1.	BICYCLE VALVES	05
2.	MOPED VALVES	06
3.	MOTOR CYCLE VALVES	06 - 07
4.	SCOOTER VALVES	08 - 09
5.	PASSENGER CAR VALVES	10 - 14
6.	TRUCK AND BUS VALVES	15 - 24
7.	TRACTOR VALVES INDUSTRIAL VEHICLE VALVES	25 - 28
8.	AIR CRAFT VALVES	28
9.	OTR VALVES	29 - 33
10.	CURING BAG VALVES	33 - 35
11.	VALVE CORES	36 - 37
12.	ADAPTERS & PLUGS	39 - 42
13.	ACCESSORIES	43 - 55
14.	SERVICE TOOLS	56 - 58

## RUBBER COVERED TUBE VALVE - BICYCLE



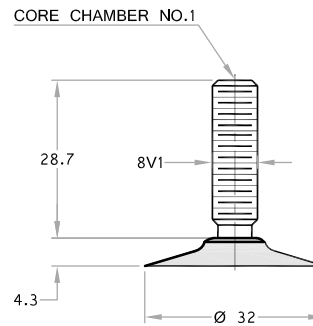
PRODUCT TYPE		ACCESSORIES - TR NO	
TRITON	TR NO	CORE	CAP
TP 1	1	C1 SHORT	VC 2 VC 3 VC 8

## ALL METAL CLAMP-IN VALVE - BICYCLE



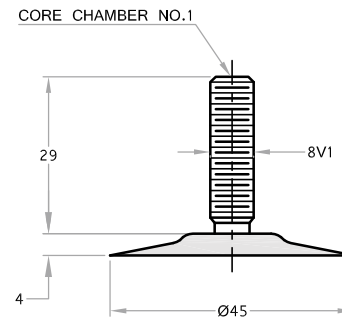
PRODUCT TYPE		ACCESSORIES - TR.NO	
TRITON	ETRTO	CORE	CAP
V1-05-1	V1-05-1	C1 SHORT	VC 2 VC 3 VC 8

## RUBBER BASED TUBE VALVE - MOPED



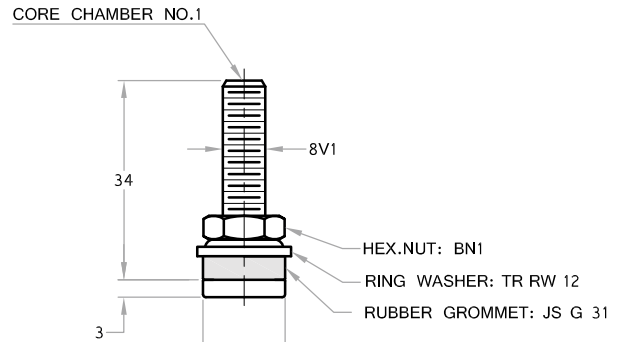
PRODUCT TYPE		ACCESSORIES - TR.NO			RIM NUT
TRITON	IS	CORE	CAP		
4116M	A 29 1 32	C 1 SHORT	VC 2 VC 3 VC 8	T-252	

## RUBBER BASED TUBE VALVE - MOTOR CYCLE



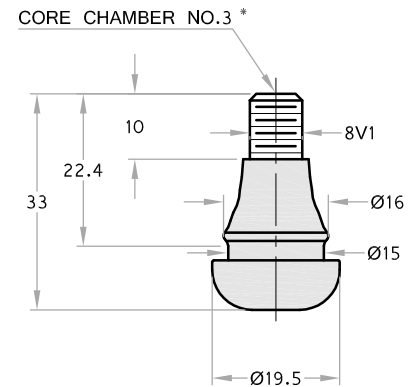
PRODUCT TYPE		ACCESSORIES - TR.NO				
TRITON	IS	CORE	CAP	RING WASHER	LOCK NUT OR RIM NUT	
TR 29	A 29 1 45	C 1 SHORT	VC 2 VC 3 VC 8	RW 12 OR RW 12 A	BN 1	T-252

## TUBELESS CLAMP-IN VALVE - MOTOR CYCLE



PRODUCT TYPE		ACCESSORIES - TR NO.	
TRITON	JATMA	CORE	CAP
JS 430	JS 430	C 1 SHORT	VC 2 VC 3 VC 8

## RUBBER COVERED TUBELESS SNAP-IN VALVE - MOTOR CYCLE

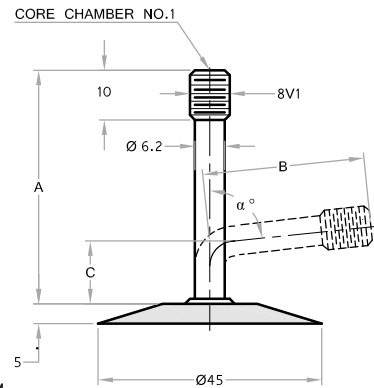


PRODUCT TYPE		VALVE HOLE SIZE	ACCESSORIES-TR NO.	
TRITON	TR NO		CORE	CAP
TR 412	412	11.3 +0.4 0	C 1 SHORT	VC 8

\*ACCOMADATES SHORT CORE ONLY



## RUBBER BASED TUBE VALVES (OLD TYPE) - SCOOTER



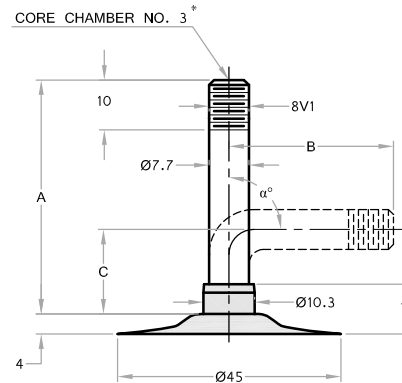
SUPPLIED IN STRAIGHT FORM

PRODUCT TYPE		A	B	C	$\alpha^\circ$	ACCESSORIES - TR NO.	
TRITON	IS					CORE	CAP
4016 DT	A 41 1 45	41	35	6.4	55	C 1 SHORT	VC 2 VC 3 VC 8
4019 CT	A 50 1 45	49.6	39	11	75		

## RUBBER BASED TUBE VALVES - SCOOTER



BELL SHAPED  
RUBBER BASE (BS)



SUPPLIED IN STRAIGHT FORM

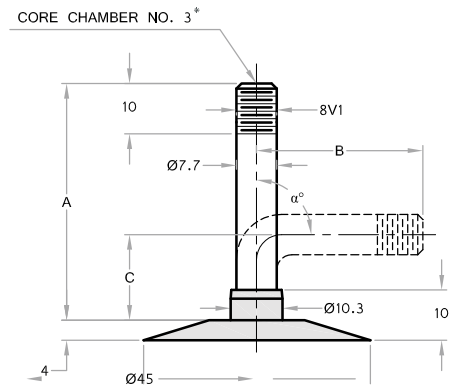
PRODUCT TYPE		A	B	C	$\alpha^\circ$	ACCESSORIES - TR NO.	
TRITON	ETRT0					CORE	CAP
V1-08-1 (BS)	-	47	33	17	90	C 1 SHORT	VC 2 VC 3 VC 8
V1-08-3 (BS)	-	40	25	15	55		

\*ACCOMADATES SHORT CORE ONLY

## RUBBER BASED TUBE VALVES - SCOOTER



STRAIGHT SHAPED  
RUBBER BASE (SS)

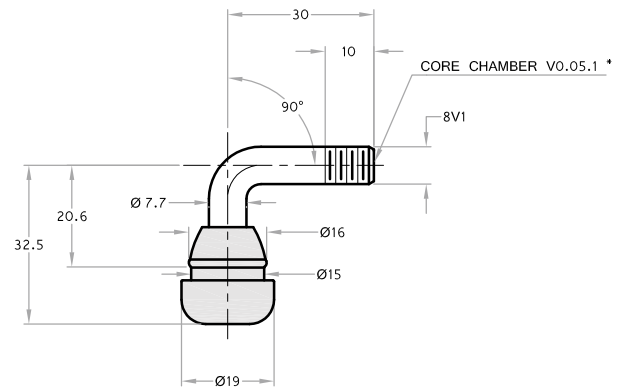


SUPPLIED IN STRAIGHT FORM

PRODUCT TYPE		A	B	C	$\alpha^\circ$	ACCESSORIES - TR NO.	
TRITON	ETRTO					CORE	CAP
V1-08-1 (SS)	V1-08-1	47	33	17	90	C 1 SHORT	VC 2
V1-08-3 (SS)	V1-08-3	40	25	15	55		VC 3
							VC 8

\*ACCOMADATES SHORT CORE ONLY

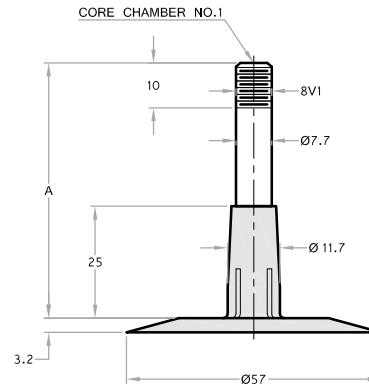
## RUBBER COVERED TUBELESS SNAP-IN VALVE - SCOOTER



PRODUCT TYPE		ACCESSORIES-TR NO.	
TRITON	JATMA	CORE	CAP
PVR 70	PVR 70	C 1 SHORT	VC 8

\*ACCOMADATES SHORT CORE ONLY

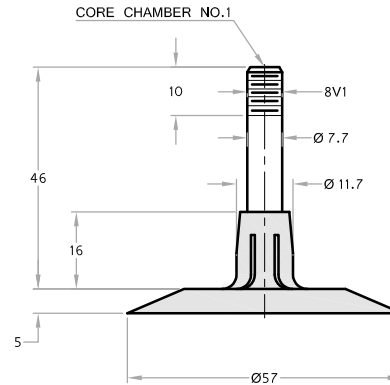
## RUBBER COVERED TUBE VALVE - PASSENGER CAR



R = DENOTES "RADIAL " MARKING

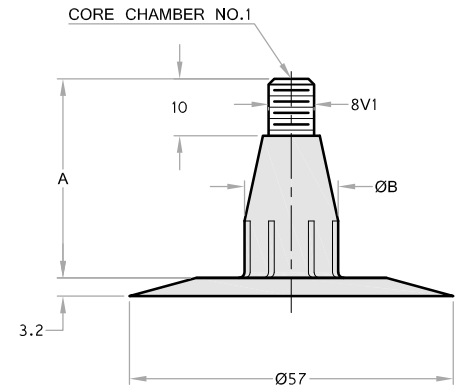
PRODUCT TYPE			ACCESSORIES - TR NO.	
TRITON	IS	A	CORE	CAP
B 57 3 57 (R)	B 57 3 57	57	C 1 SHORT	VC 2
B 46 3 57 (R)	B 46 3 57	46		VC 3
				VC 8

## RUBBER COVERED TUBE VALVE - PASSENGER CAR



PRODUCT TYPE	ACCESSORIES-TR NO.	
TRITON	CORE	CAP
T 57 46	C 1 SHORT	VC 2
		VC 3
		VC 8

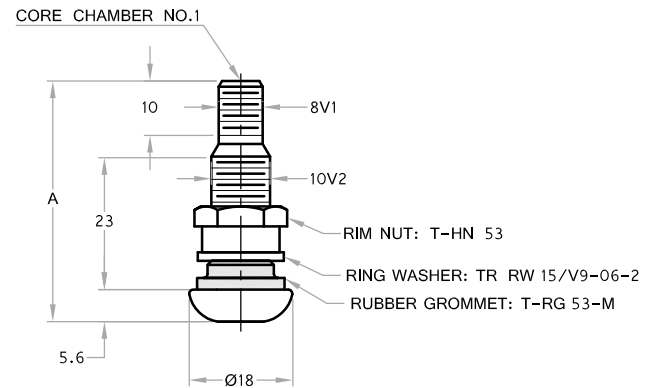
## RUBBER COVERED TUBE VALVES - PASSENGER CAR/LIGHT TRUCK



PRODUCT TYPE		A	ØB	ACCESSORIES - TR NO.	
TRITON	TR NO.			CORE	CAP
TR 13	13	35	11.7	C 1 SHORT	VC 2 VC 3 VC 8
TR 13 (R)	-	35	11.7		
TR 14	14	35	13.1		
TR 15	15	35	16.5		
B 35 1 57	-	35	9.1		

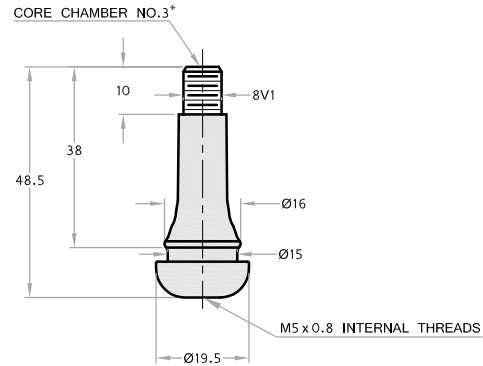
R = DENOTES "RADIAL" MARKING

## TUBELESS CLAMP-IN VALVES - PASSENGER CAR



PRODUCT TYPE		A	ACCESSORIES-TR NO.	
TRITON			CORE	CAP
TM 1842		42	C 1 SHORT	T-VC3-1
TM 1852		52.5		

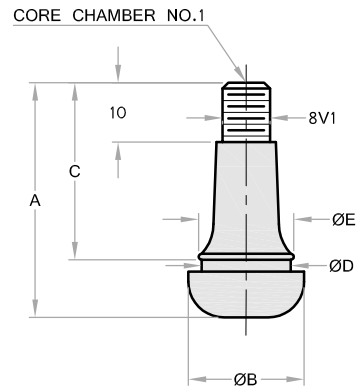
## RUBBER COVERED TUBELESS SNAP-IN VALVE (TPMS) - PASSENGER CAR



PRODUCT TYPE	VALVE HOLE SIZE	ACCESSORIES-TR NO.	
		CORE	CAP
TRITON			
TPMS TR 414	11.3 $+0.4$ <sub>0</sub>	C 1 SHORT	VC 8

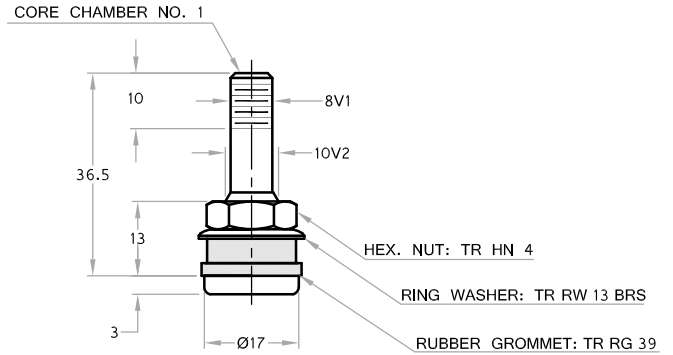
\*ACCOMADATES SHORT CORE ONLY

## RUBBER COVERED TUBELESS SNAP-IN VALVE - PASSENGER CAR



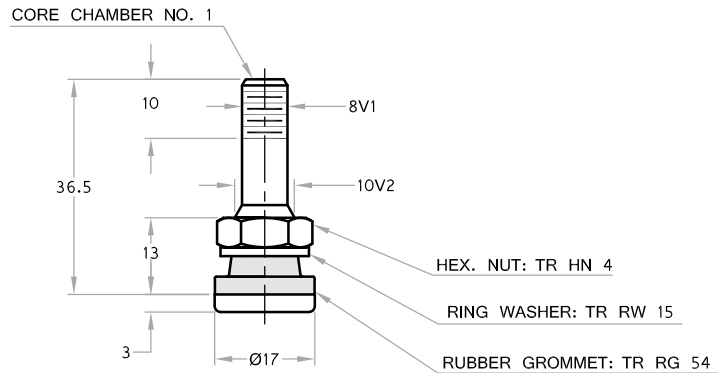
PRODUCT TYPE		VALVE HOLE SIZE	A	B	C	D	E	ACCESSORIES - TR NO.	
TRITON	TR NO.							CORE	CAP
TR 413	413	11.3 $+0.4$ <sub>0</sub>	42.5	19.5	32	15	16	C 1 SHORT	VC 8
TR 414	414	11.3 $+0.4$ <sub>0</sub>	48.5	19.5	38	15	16		
V2-03-8(TR 414L)	-	11.3 $+0.4$ <sub>0</sub>	56.5	19.5	46	15	16		
TR 418	418	11.3 $+0.4$ <sub>0</sub>	61.5	19.5	51	15	16		
TR 438	-	8.8 $+0.3$ <sub>0</sub>	42	16	32	12.3	13.2		
TR 415	415	15.7 $+0.4$ <sub>0</sub>	42.5	24	31.8	19.2	20.2		

## TUBELESS CLAMP-IN VALVE - PASSENGER CAR



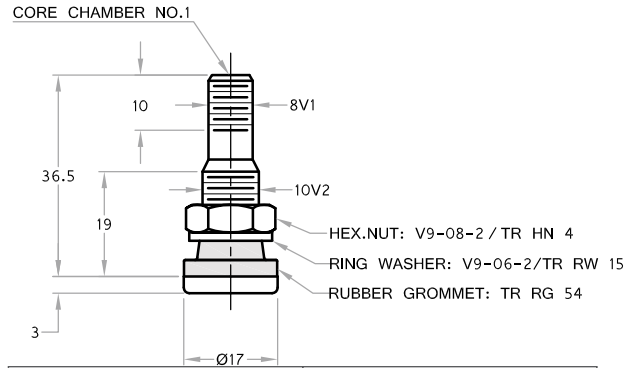
PRODUCT TYPE		ACCESSORIES TR NO.	
TRITON	TR NO.	CORE	CAP
TR 416	TR 416	C 1 SHORT	T-VC3-1

## TUBELESS CLAMP-IN VALVE - PASSENGER CAR



PRODUCT TYPE		ACCESSORIES TR NO.	
TRITON	TR NO.	CORE	CAP
TR 416S	TR 416S	C 1 SHORT	T-VC3-1

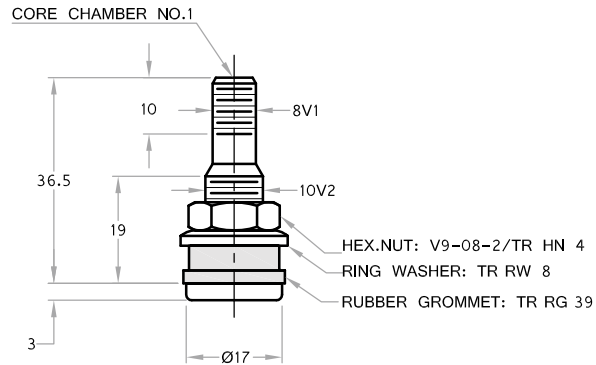
## TUBELESS CLAMP-IN VALVE - PASSENGER CAR



PRODUCT TYPE		ACCESSORIES TR NO.	
TRITON	ETRT0	CORE	CAP
V2-05-1 *	V2-05-1	C 1 SHORT	T-VC3-1

\* V2-05-1 Ni (NICKEL PLATED) WILL BE SUPPLIED ON REQUEST

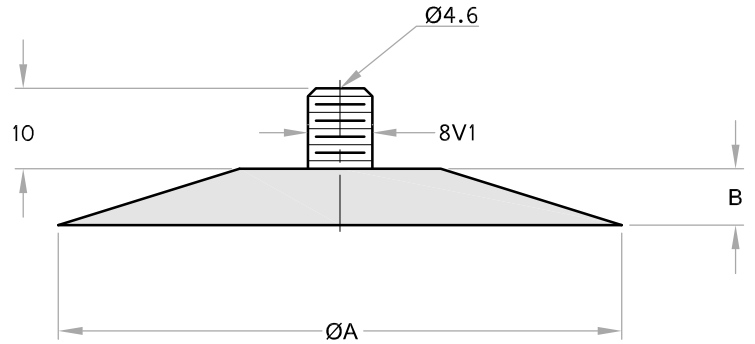
## TUBELESS CLAMP-IN VALVE - PASSENGER CAR



PRODUCT TYPE		ACCESSORIES TR NO.	
TRITON	ETRT0	CORE	CAP
V2-05-2 *	V2-05-2	C 1 SHORT	T-VC3-1

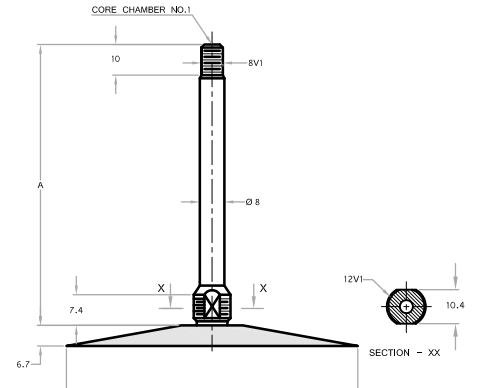
\* V2-05-2 Ni (NICKEL PLATED) WILL BE SUPPLIED ON REQUEST

## VALVES SPUD FOR SCREW - ON UNIVERSAL VALVE TRUCK AND BUS



PRODUCT TYPE		ØA	ACCESSORIES - ETRTO NO.	
TRITON	ETRTO		RUBBER WASHER	
V3.08.2	V3.08.2	70	V9.05.1	
V3.08.3	V3.08.3	80		
V3.08.4	V3.08.4	57		

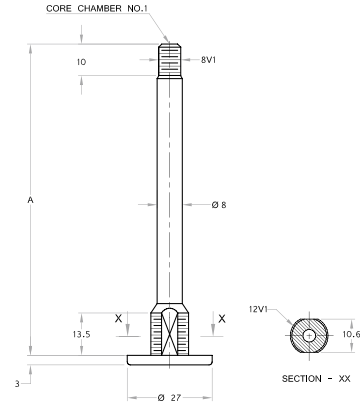
## RUBBER BASED TUBE VALVES TRUCK AND BUS (Ø 95 SERIES)



PRODUCT TYPE		A	ACCESSORIES - TR NO.				
TRITON	JATMA		CORE	CAP	BRIDGE OR RING WASHER	HEX NUT	
JS 75 (Ø95)	JS 75	89.5	C 1 SHORT	VC 2 VC 3 VC 8	BW 1 BW 2 BW 3	RW 3	HN 1
TR 75A (Ø95)	-	95					
TR 76A (Ø95)	TR 76A	105					
TR 77A (Ø95)	TR 77A	124					
TR 78A (Ø95)	TR 78A	146					
TR 175A (Ø95)	TR 175A	134					
TR 177A (Ø95)	TR 177A	114					
TR 179A (Ø95)	TR 179A	160					

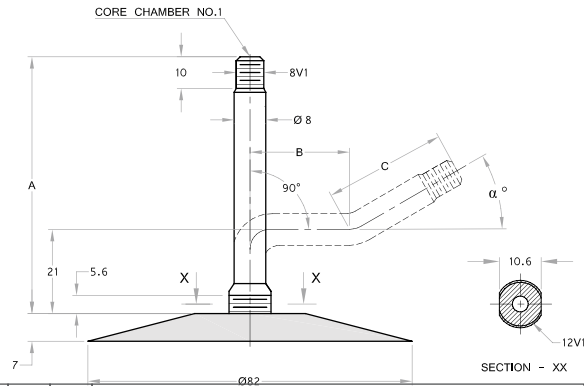


## ALL METAL CLAMP-IN VALVES - TRUCK AND BUS



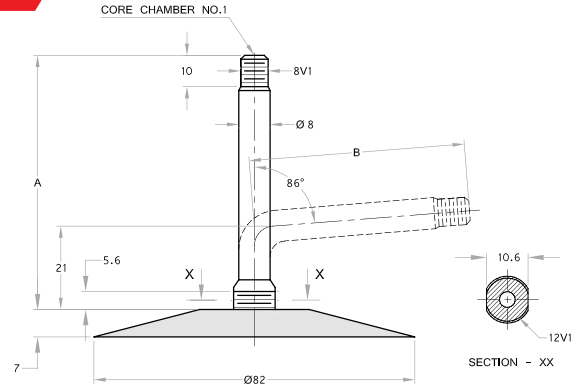
PRODUCT TYPE		A	ACCESSORIES - TR NO.			
TRITON	TR NO.		CORE	CAP	RING WASHER	HEX NUT
TR 75	75	99	C 1 SHORT	VC 2 VC 3 VC 8	RW 3	HN 1
TR 76	76	110				
TR 177	177	121				
TR 77	77	130				
TR 175	175	139				
TR 78	78	150				
TR 179	179	165				

## RUBBER BASED DOUBLE NET TUBE VALVES - TRUCK AND BUS



PRODUCT TYPE		A	B	C	$\alpha^\circ$	ACCESSORIES - TR NO.				
TRITON	TR NO.					CORE	CAP	BRIDGE OR RING WASHER	RING WASHER	HEX NUT
TR 75A	75A	97	35	48	31	C 1 SHORT	VC 2 VC 3 VC 8	BW 1 BW 2 BW 3	RW 3	HN 1
TR 76A	76A	106	40	51	31					
TR 177A	177A	114	46	54	26					
TR 78A	78A	147	63	70	21					
TR 179A	179A	160	75	70	21					

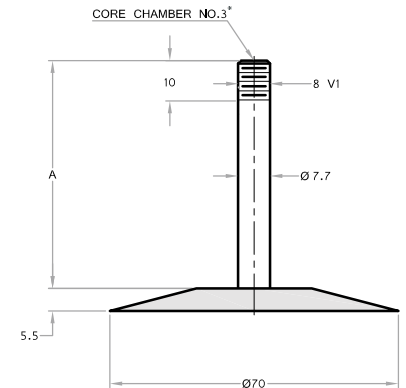
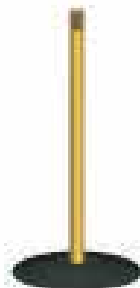
## RUBBER BASED SINGLE NET TUBE VALVES - TRUCK AND BUS



NORMALLY SUPPLIED IN STRAIGHT FORM

PRODUCT TYPE		A	B	ACCESSORIES - TR NO.				
TRITON	TR NO.			CORE	CAP	BRIDGE WASHER OR	RING WASHER	HEX NUT
TR 227	227	65	48	C 1 SHORT	VC 2 VC 3 VC 8	BW 1 BW 2 BW 3	RW 3	HN 1
TR 274A	274A	83	66					
TR 75A	75A	97	80					
TR 76A	76A	106	89					
A B1 5 82	-	111	94					
TR 177A	177A	114	97					
TR 77A	77A	123	106					
TR 175A	175A	134	117					
TR 78A	78A	147	130					
TR 178A	178A	154	137					
TR 179A	179A	160	143					

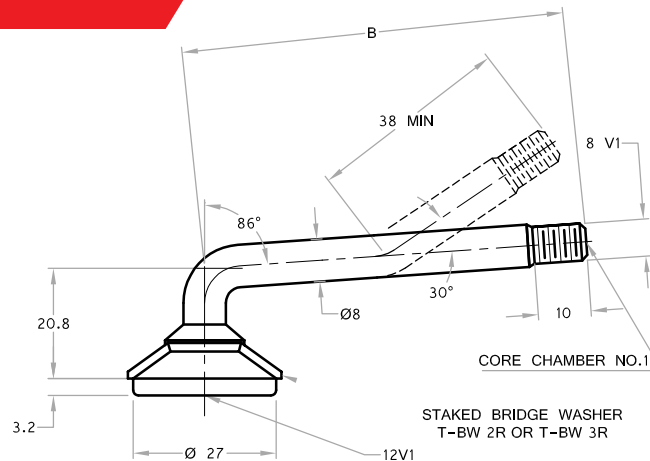
## RUBBER BASED TUBE VALVES - TRUCK AND BUS (TR 440 SERIES)



PRODUCT TYPE		A	ACCESSORIES - TR NO.	
TRITON	TR NO.		CORE	CAP
TR 440	440	85	C 1 SHORT	VC 2 VC 3 VC 8
TR 441	441	105		
TR 442	442	115		
TR 443	443	125		
TR 444	444	140		
TR 445	445	155		

\* ACCOMADATES SHORT CORE ONLY

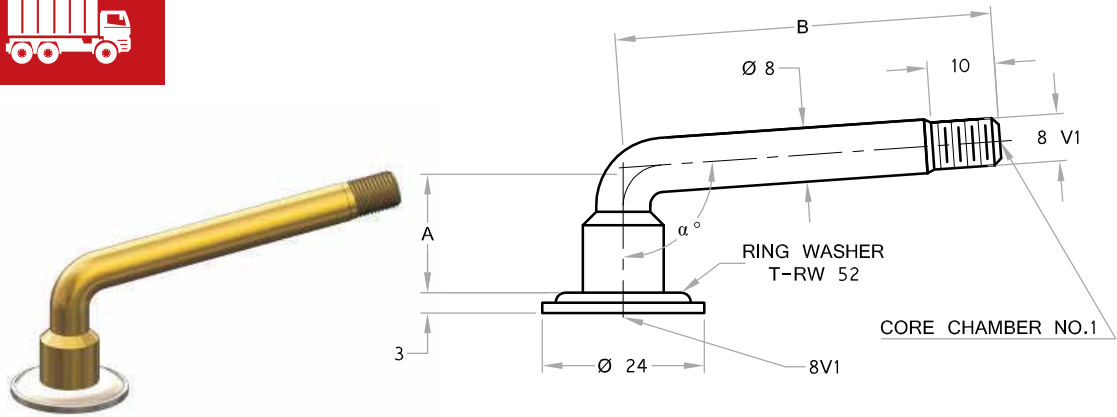
## SCREW - ON REPAIR VALVES - TRUCK AND BUS (WITH GRIDGE WASHER



SUPPLIED IN BENT FORM AS SHOWN, AVAILABLE WITH  
OR WITHOUT BRIDGE WASHER STAKED-ON  
(BRIDGE WASHER T-BW 2R OR T-BW-2R)

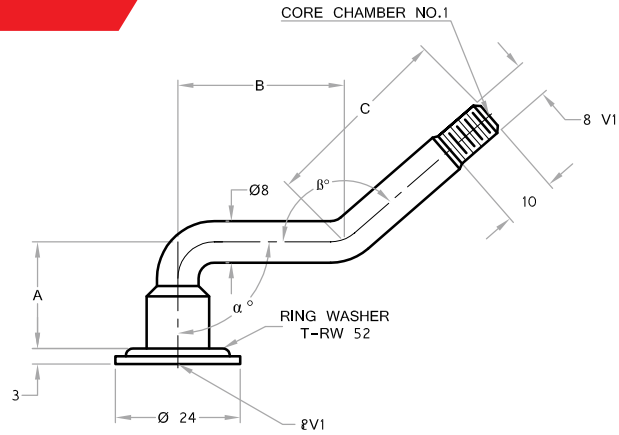
PRODUCT TYPE		B	ACCESSORIES - TR NO.	
TRITON	TR NO.		CORE	CAP
TR 1227A	1227A	50	C 1 SHORT	VC 2 VC 3 VC 8
TR 1274A	1274A	60		
TR 1075A	1075A	76		
TR 1076A	1076A	86		
TR 1177A	1177A	94		
TR 1077A	1077A	104		
TR 1175A	1175A	114		
TR 1078A	1078A	127		
TR 1179A	1179A	142		
TR 1079A	1079A	150		

## SCREW - ON UNIVERSAL SINGLE BENT VALVES - TRUCK AND BUS



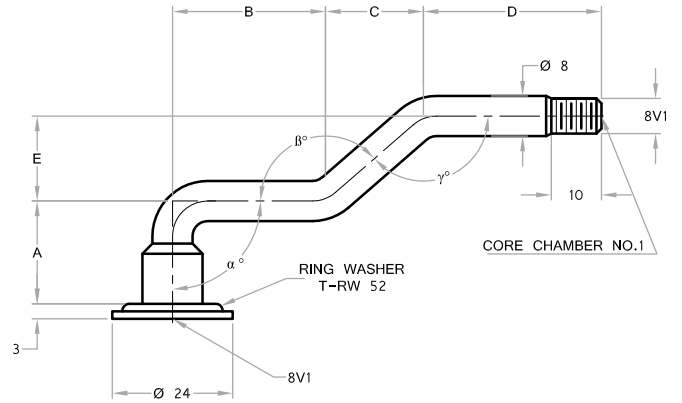
PRODUCT TYPE		A	B	$\alpha^\circ$	FITS ON	ACCESSORIES - TR NO.	
TRITON	ETRT0				SPUD	CORE	CAP
V3.02.1	V3.02.1	25.5	41.5	120	V3.08.2 V3.08.3 V3.08.4	C 1 SHORT	VC 2 VC 3 VC 8
V3.02.2	V3.02.2	22.5	43	120			
V3.02.3	V3.02.3	33	44.5	95			
V3.02.4	V3.02.4	39.5	44.5	110			
V3.02.5	V3.02.5	20.5	47.5	90			
V3.02.6	V3.02.6	23.5	60.5	110			
V3.02.7	V3.02.7	22.5	71.5	100			
V3.02.8	V3.02.8	20.5	89.5	94			
V3.02.9	V3.02.9	20.5	99.5	94			
V3.02.10	V3.02.10	20.5	115	94			
V3.02.11	V3.02.11	20	126	98			
V3.02.12	V3.02.12	20.5	132	94			
V3.02.13	V3.02.13	20.5	133.5	90			
V3.02.14	V3.02.14	20.5	138.5	94			
V3.02.15	V3.02.15	20.5	145.5	94			
V3.02.16	V3.02.16	20.5	149.5	90			
V3.02.17	V3.02.17	20.5	156.5	90			
V3.02.18	V3.02.18	22.5	74.5	90			
V3.02.19	V3.02.19	20.5	60	94			
V3.02.20	V3.02.20	22.5	56.4	95			
V3.02.21	V3.02.21	20.5	172	90			
V3.02.22	V3.02.22	32.5	117.5	94			
V3.02.23	V3.02.23	29.5	66.5	90			
V3.02.24	V3.02.24	20.5	117	90			
V3.02.25	V3.02.25	27	160	88			
V3.02.26	V3.02.26	20.5	105	94			
V3.02.27	V3.02.27	20	75	94			
V3.02.29	V3.02.29	20	127	94			

# SCREW - ON UNIVERSAL DOUBLE BENT VALVES - TRUCK AND BUS



PRODUCT TYPE		A	B	C	α°	β°	FITS ON	ACCESSORIES - TR NO.	
TRITON	ETRTO						SPUD	CORE	CAP
V3.04.1	V3.04.1	20.5	32	37	90	138	V3.08.2 V3.08.3 V3.08.4	C 1 SHORT	VC 2 VC 3 VC 8
V3.04.2	V3.04.2	20.5	38	41.5	90	153			
V3.04.3	V3.04.3	20	59	38.5	94	163			
V3.04.4	V3.04.4	20	74	40	94	144			
V3.04.5	V3.04.5	20	76	47.5	90	153			
V3.04.6	V3.04.6	20	86	47.5	90	153			
V3.04.7	V3.04.7	20.5	30.5	38	90	154			
V3.04.8	V3.04.8	20.5	38.5	43	90	167			
V3.04.9	V3.04.9	20.5	41	47	90	149			
V3.04.10	V3.04.10	20.5	47	53	90	154			
V3.04.11	V3.04.11	20.5	47	63.5	90	154			
V3.04.12	V3.04.12	20.5	60.5	60.5	90	159			
V3.04.13	V3.04.13	20.5	66.5	67	90	159			
V3.04.14	V3.04.14	20.5	83.5	65	90	159			
V3.04.15	V3.04.15	20.5	42	38.5	90	120			
V3.04.16	V3.04.16	20	38	50	90	160			
V3.04.17	V3.04.17	20	65	45	90	160			
V3.04.18	V3.04.18	20	72	45	90	160			
V3.04.19	V3.04.19	20	80	45	90	160			
V3.04.20	V3.04.20	20	68	47	94	16 4			
V3.04.21	V3.04.21	20	83	57	94	15 4			
V3.04.22	V3.04.22	20	28	47	94	16 4			
V3.04.23	V3.04.23	20	48	47	94	16 4			
V3.04.24	V3.04.24	20	58	47	94	16 4			
V3.04.25	V3.04.25	20	80	47	94	16 4			
V3.04.26	V3.04.26	20	99	42	99	189			

# SCREW - ON UNIVERSAL TRIPLE BENT VALVES - TRUCK AND BUS



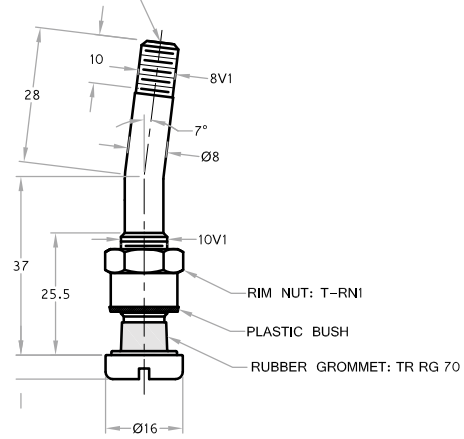
PRODUCT TYPE		A	B	C	D	E	$\alpha^\circ$	$\beta^\circ$	$\gamma^\circ$	FITS ON	ACCESSORIES - TR NO.	
TRITON	ETRTO									SPUD	CORE	CAP
V3.06.1	V3.06.1	20.5	30.5	19.5	35.5	17	90	139	139	V3.08.2 V3.08.3 V3.08.4	C 1 SHORT	VC 2 VC 3 VC 8
V3.06.2	V3.06.2	20.5	44.5	12	37.5	17	90	125	125			
V3.06.3	V3.06.3	20.5	46	20.5	47.5	17	90	140	140			
V3.06.4	V3.06.4	32.5	46.5	20.5	46.5	17	95	140	140			
V3.06.5	V3.06.5	20.5	62.5	19.5	49	17	90	139	139			
V3.06.6	V3.06.6	20	79.5	19.5	37.5	17	90	139	139			
V3.06.7	V3.06.7	20.5	45.5	18.5	42.5	17	90	137	137			
V3.06.8	V3.06.8	24.5	61.5	14.5	50.5	7.5	94	153	153			
V3.06.9	V3.06.9	20.5	67.5	19.5	54.5	17	90	139	139			
V3.06.10	V3.06.10	23.5	91.5	29.5	45.5	13.5	90	155	155			
V3.06.11	V3.06.11	20.5	80.5	36.5	58.5	23	90	148	148			
V3.06.12	V3.06.12	23.5	71.5	19.5	25.5	11.5	90	150	150			
V3.06.13	V3.06.13	20	40	13	40	7	94	153	153			
V3.06.14	V3.06.14	20	50	13	40	7	94	153	153			
V3.06.15	V3.06.15	20	60	13	40	7	94	153	153			
V3.06.16	V3.06.16	20	62	13	50	7	94	153	153			
V3.06.17	V3.06.17	20	75	13	50	7	94	153	153			

## TUBELESS CLAMP-INVALVE - TRUCK AND BUS



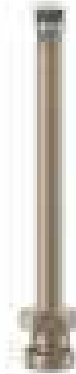
5

CORE CHAMBER NO.1



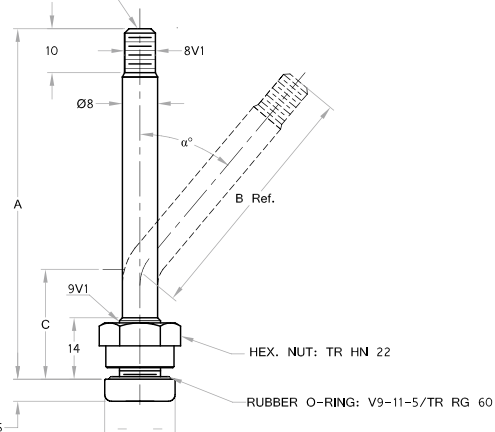
PRODUCT TYPE	ACCESSORIES - TR NO.	
TRITON	CORE	CAP
TM 16 70	C 1 SHORT	T-VC3-1 VC 2 VC 3 VC 8

## TUBELESS CLAMP-INVALVES - TRUCK AND BUS (O-RING TYPE)



→ Ø16 ← 5

CORE CHAMBER NO.1



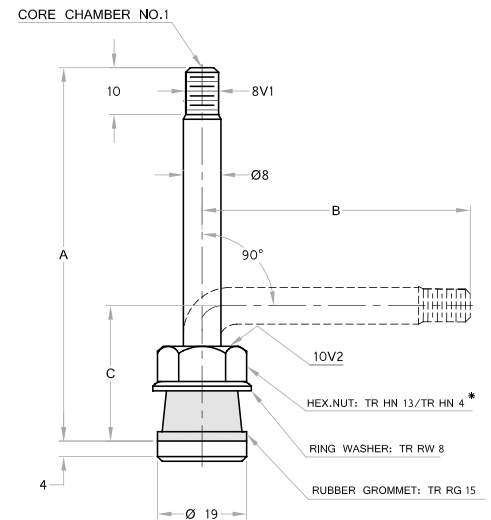






PRODUCT TYPE		A ±1	B Ref	C +2 -1	α ° ±2'	ACCESSORIES - TR NO.	
TRITON	ETRTO					CORE	CAP
TR 542	542	32	-	-	-	C 1 SHORT	TVC3-1 VC 2 VC 3 VC 8
TR 543	543	59	-	-	-		
TR 543C	543C	59	36.5	23.5	45		
TR 543D	543D	59	35	25	60		
TR 543E	543E	59	35	25	75		
TR 544	544	73	-	-	-		
TR 544C	544C	73	49	25	45		
TR 544D	544D	73	49	25	60		
TR 545	545	89	-	-	-		
TR 545D	545D	89	66	25	60		
TR 545E	545E	89	66	25	75		
TR 546	546	108	-	-	-		
TR 546-36	546-36	108	85	25	36		
TR 546 D	546 D	108	85	25	60		
TR 546 E	546 E	108	85	25	75		
TR 547 D	547 D	119	96	25	60		

## TUBELESS CLAMP-INVALVES - TRUCK AND BUS (GROMMET TYPE)

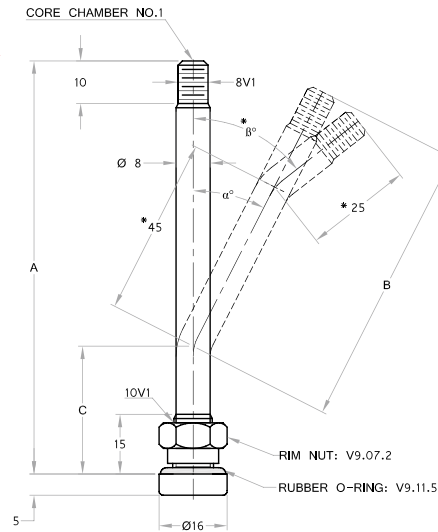


PRODUCT TYPE		A	B	C	ACCESSORIES - TR NO.	
TRITON	TR NO.				CORE	CAP
TR 575	575	29	-	-		
TR 501	501	38	-	-		
TR 500	500	51	-	-		

TR 570	570	79	-	-	C 1 SHORT	VC 2 VC 3 T-VC3-1 VC 8
TR 571	571	86	-	-		
TR 572	572	95	-	-		
TR 573	573	111	-	-		
TR 574	574	127	-	-		
TR 570C	570C	-	51	33		
TR 571C	571C	-	58	33		
TR 572C	572C	-	67	33		
TR 573C	573C	-	83	33		
TR 574C	574C	-	99	33		

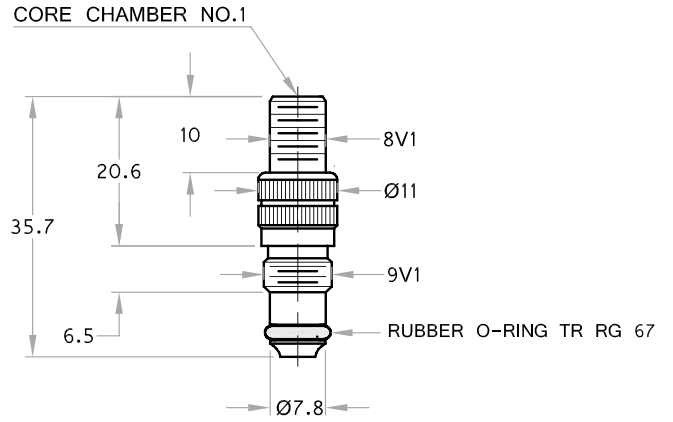
\* TR HN 4 WILL BE ASSEMBLED ON REQUEST IN PLACE OF TR HN 13

## TUBELESS CLAMP-INVALVES - TRUCK AND BUS (O-RING TYPE-ROUND BASE)



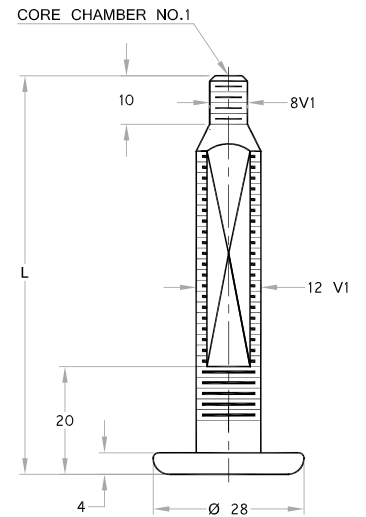
PRODUCT TYPE		A	B	C	α°	β°	ACCESSORIES-TR NO.	
TRITON	ETRTO						CORE	CAP
V3.20.1	V3.20.1	36	-	-	-	-	C 1 SHORT	T-VC3-1 VC 2 VC 3 VC 8
V3.20.2	V3.20.2	90	60	30	17°30'	-		
V3.20.3	V3.20.3	82	-	-	-	-		
V3.20.4	V3.20.4	-	60	25	27	-		
V3.20.5	V3.20.5	-	40	25	27	-		
V3.20.6	V3.20.6	-	85	25	27	-		
V3.20.7	V3.20.7	-	50	25	27	-		
V3.20.8	V3.20.8	-	85	29	12	-		
V3.20.9	V3.20.9	-	52	45	12	-		
V3.20.10	V3.20.10	-	25	50	27	-		
V3.20.11	V3.20.11	95	-	25	27	42		
V3.20.12	V3.20.12	-	70	25	27	-		

## CORE HOUSING FOR AIR-WATER TRACTOR VALVES



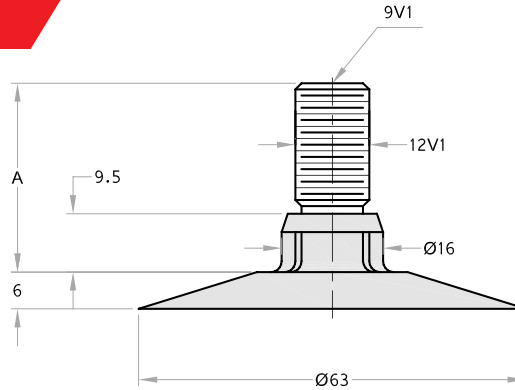
PRODUCT TYPE		ACCESSORIES - TR NO.	
TRITON	TR NO.	CORE	CAP
TR CH 3	CH 3	C 1 SHROT	VC 2 VC 3 VC 8

## ALL METAL CLAMP-IN AIR-WATER VALVES - TRACTOR



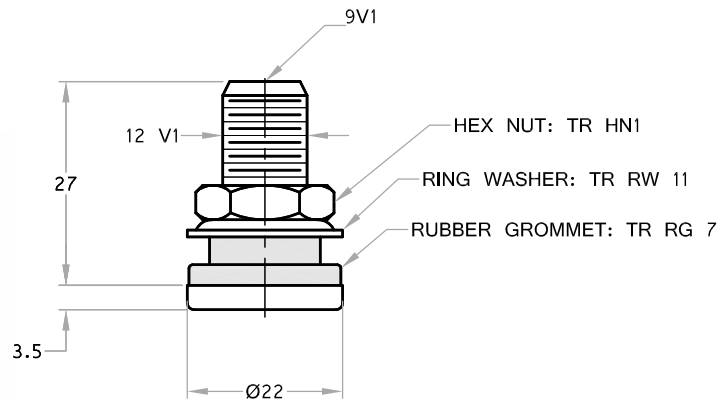
PRODUCT TYPE		ACCESSORIES - TR NO.			
TRITON	L	RING WASHER	HEX. NUT	CORE	CAP
TM 2840	40	RW 3	HN 1	C 1 SHROT	VC 2
TM 2860	60				VC 3
TM 2877	77				VC 8

## RUBBER BASED VALVES - INDUSTRIAL VEHICLE



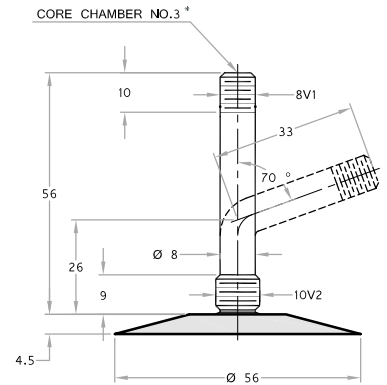
PRODUCT TYPE		A	ACCEPTS	ACCESSORIES - TR NO.
TRITON	TR NO.			CORE HOUSING
TR 218A	218A	20	TR CH 3	LN 10
TR 220A	220A	30.2		

## TUBELESS CLAMP-IN VALVE - AIRCRAFT



PRODUCT TYPE		ACCEPTS
TRITON	TR NO.	CORE HOUSING
TR 618A	618A	TR CH 3

## RUBBER BASED VALVE - INDUSTRIAL VEHICLE

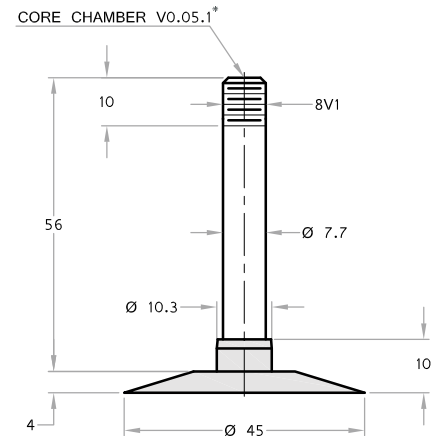


SUPPLIED IN STRAIGHT FORM

PRODUCT TYPE		ACCESSORIES			
		JATMA NO.		TR NO.	
TRITON	JATMA	RING WASHER	HEX. NUT	CORE	CAP
JS 2	JS 2	R 31	BN 1	C 1 SHORT	VC 2 VC 3 VC 8

\* ACCOMADATES SHORT CORE ONLY

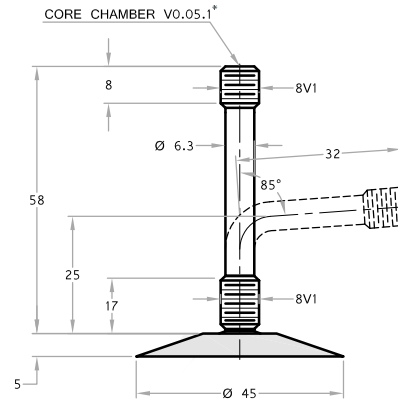
## RUBBER BASED VALVES - INDUSTRIAL VEHICLE



PRODUCT TYPE	ACCESSORIES - TR NO.	
	CORE	CAP
T 45 56	C 1 SHORT	VC 2 VC 3 VC 8

\* ACCOMADATES SHORT CORE ONLY

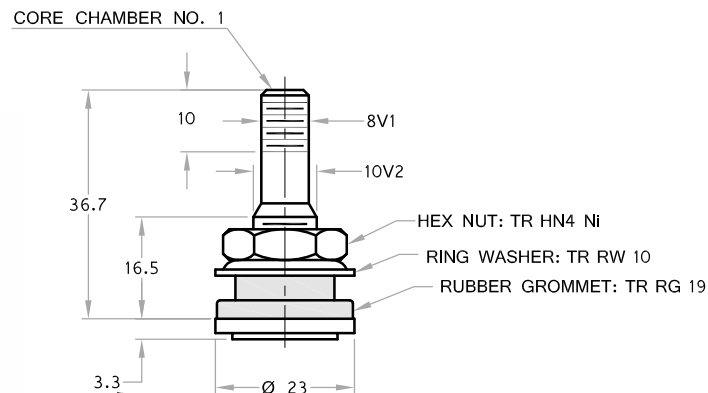
## RUBBER BASED VALVES - INDUSTRIAL VEHICLE



PRODUCT TYPE	ACCESSORIES - TR NO.		
TRITON	CORE	CAP	LOCK NUT
T 45 58	C 1 SHORT	VC 2 VC 3 VC 8	LN 3 OR BN 1

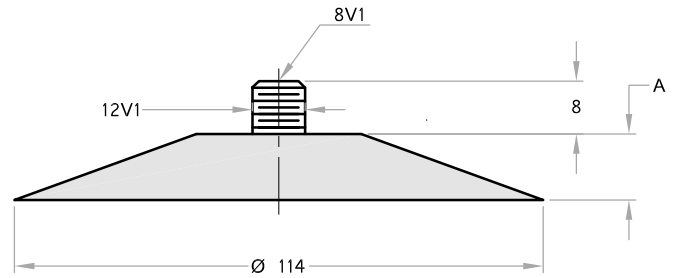
\* ACCOMMODATES SHORT CORE ONLY

## TUBELESS CLAMP-IN VALVE - AIRCRAFT



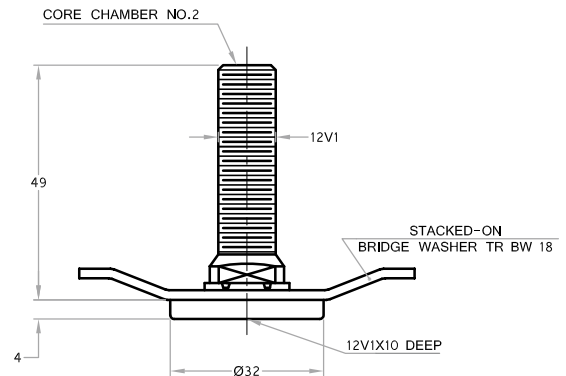
PRODUCT TYPE		ACCESSORIES TR NO.	
TRITON	TR NO.	CORE	CAP
TR 714-03	714-03	TR C4	T-VC5

## VALVE SPUDS FOR LARGE BORE SCREW-ON TUBE VALVES - OTR



PRODUCT TYPE		A
TRITON	TRITON	
TR SP 1000 (13) -M	TR SP 1000	13
TR SP 1000 (9.5) -M	-	9.5

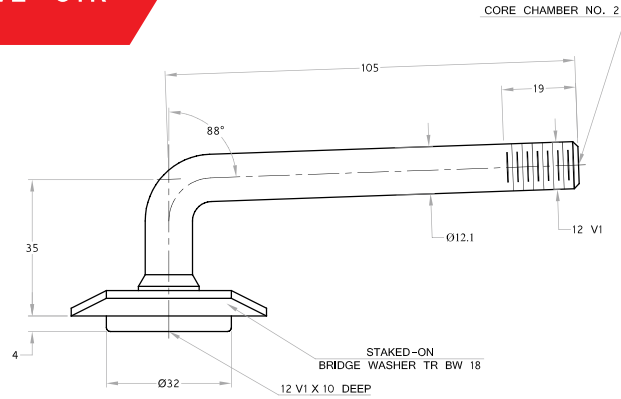
## LARGE BORE SCREW-ON TUBE VALVES - OTR



PRODUCT TYPE		FITS ON	ACCESSORIES TR NO.	
TRITON	TR NO	TR NO.	CORE	CAP
TR J 1014-M	J 1014	TR SP 1000 (13)-M TR SP 1000 (9.5)-M	C 2 SHORT C 2 LONG	VC 6 VC 7

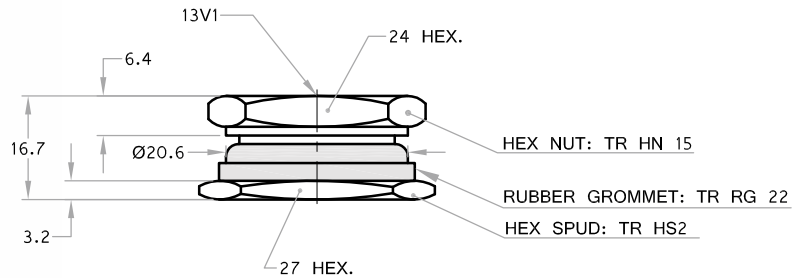


## LARGE BORE SCREW-ON TUBE VALVE - OTR



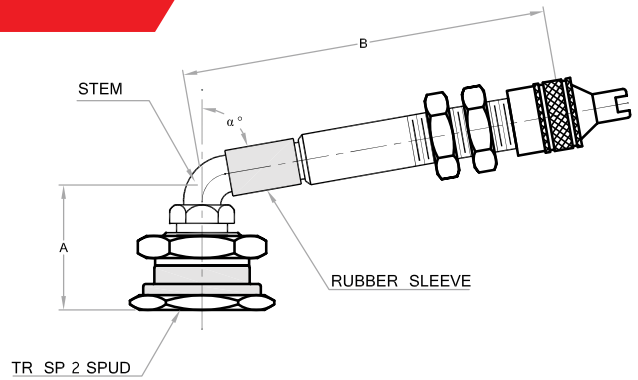
PRODUCT TYPE		FITS ON	ACCESSORIES TR NO.	
TRITON	TR NO	SPUD	CORE	CAP
TR J 1175C-M	J 1175C	TR SP 1000 (13)-M TR SP 1000 (9.5)-M	C 2 SHORT C 2 LONG	VC 6 VC 7

## LARGE BORE CLAMP-IN SPUD - OTR



PRODUCT TYPE	
TRITON	TR NO.
TR SP 2	SP 2

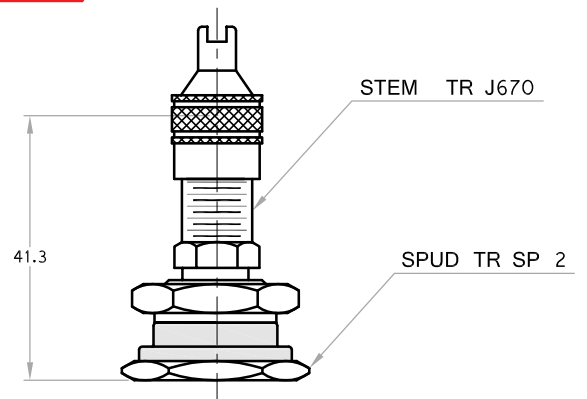
## LARGE BORE SINGLE BEND SWIVEL TYPE VALVES ASSEMBLY - OTR



PRODUCT TYPE		A	B	α°	ACCESSORIES TR NO.		
TRITON	TR NO.				CORE	CAP	HEX. NUT
TR J 650-03	J 650-03	27	79	80	C 2 SHORT C 2 LONG	VC 6 VC 7	HN 1 (2 NOS)
TR J 651-03	J 651-03	32	119	90			
TR J 653-03 *	J 653-03	27	64	80			
TR J 654-03	J 654-03	27	79	60			
TR J 657-03	J 657-03	27	101.6	80			
TR J 658-03	J 658-03	27	140	80			
TJ-27B9-03	-	27	119	80			
TR J 4000-4-03	J 4000-4-03	27.5	101.6	90			
TR J 4000-6-03	J 4000-6-03	27.5	152.4	90			
TR J 4000-12-03	J 4000-12-03	27.5	304.8	90			

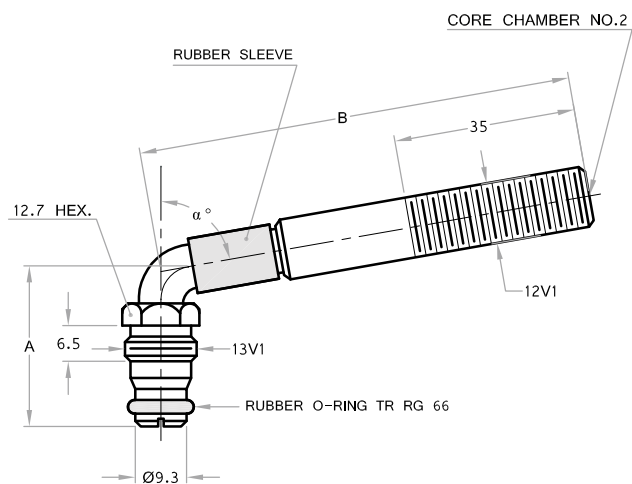
\* WITHOUT RUBBER WASHER

## LARGE BORE STRAIGHT TYPE VALVE ASSEMBLY - OTR



PRODUCT TYPE		ACCESSORIES - TR NO.	
TRITON	TR NO.	VALVE CAP	VALVE CORE
TR J 670-03	J 670-03	TR VC 6 TR VC 7	TR C2 - LONG TR C2 - SHORT

## LARGE BORE SINGLE BEND SWIVEL TYPE VALVES - OTR



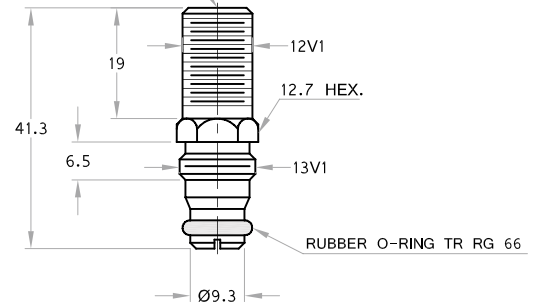
PRODUCT TYPE		A	B	$\alpha^\circ$	ACCESSORIES TR NO.			
TRITON	TR NO				SPUD	CORE	CAP	HEX. NUT
TR J 650	J 650	27	79	80	TR SP 2	C 2 SHORT C 2 LONG	VC 6 VC 7	HN 1 (2 NOS.)
TR J 651	J 651	32	119	90				
TR J 653 *	J 653	27	64	80				
TR J 654	J 654	27	79	60				
TR J 657	J 657	27	101.6	80				
TR J 658	J 658	27	140	80				
TJ-27B9	-	27	119	80				
TR J 4000-4	J 4000-4	27.5	101.6	90				
TR J 4000-6	J 4000-6	27.5	152.4	90				
TR J 4000-12	J 4000-12	27.5	304.8	90				

\* WITHOUT RUBBER SLEEVE

## LARGE BORE STRAIGHT TYPE VALVE - OTR



CORE CHAMBER NO.2

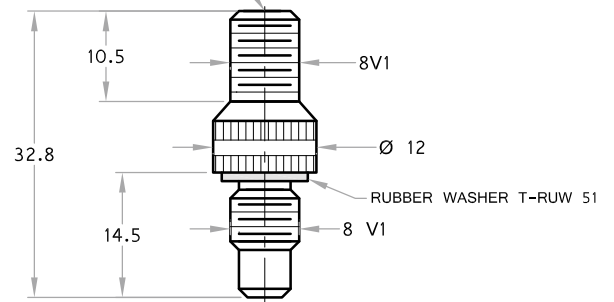


PRODUCT TYPE		FITS ON	ACCESSORIES TR NO.	
TRITON	TR NO.	SPUD	CORE	CAP
TR J670	J670	TR SP 2	C 2 SHORT C 2 LONG	VC 6 VC 7

## ADAPTER FOR CURING BAG VALVE

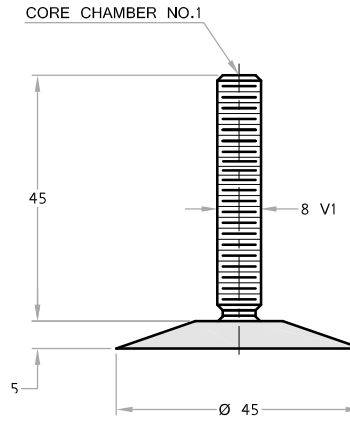


CORE CHAMBER NO.1



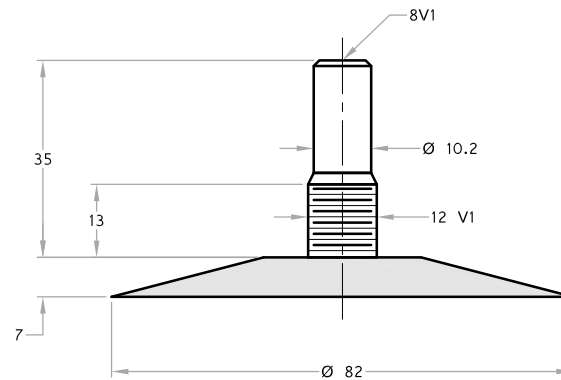
PRODUCT TYPE	ACCESSORIES - TR NO.	
TRITON	CORE	LOCK NUT
CBA 1	C 1 SHORT	VC 2 VC 3 VC 8

## RUBBER BASED SCOOTER CURING BAG VALVE



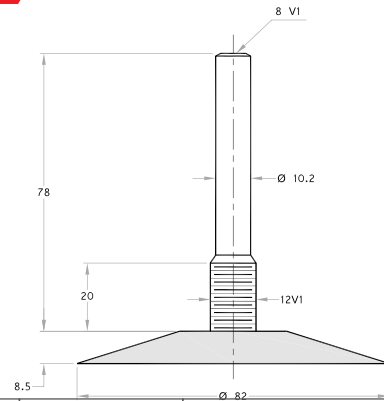
PRODUCT TYPE	ACCESSORIES TR NO.	
TRITON	CORE	LOCK NUT
T 45 45	C 1 SHORT	LN 3 OR BN 1

## RUBBER BASED PASSENGER CURING BAG VALVE



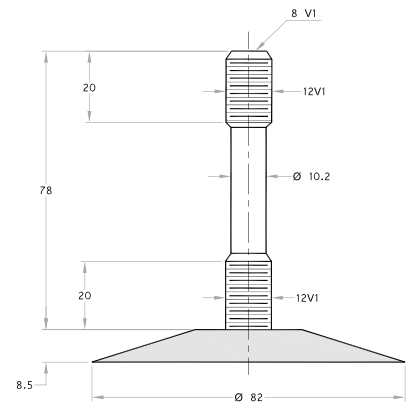
PRODUCT TYPE	ACCEPTS	ACCESSORIES - TR NO.	
TRITON	ADAPTER	RING WASHER	HEX. NUT
T 82 35	CBA - 1	RW 3	HN 1

## RUBBER BASED TRUCK & BUS CURING BAG VALVE



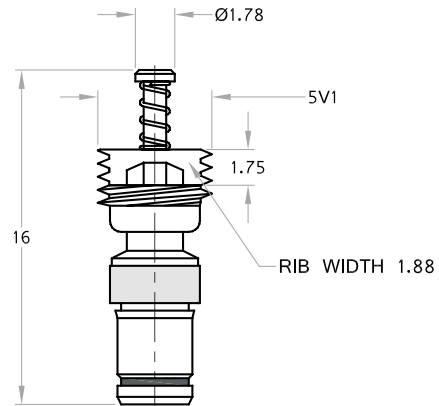
PRODUCT TYPE	ACCEPTS	ACCESSORIES - TR NO.	
TRITON	ADAPTER	RING WASHER	HEX. NUT
T 82 78	CBA - 1	RW 4	HN 1

## RUBBER BASED CURING BAG VALVE (BROMO BUTYL)



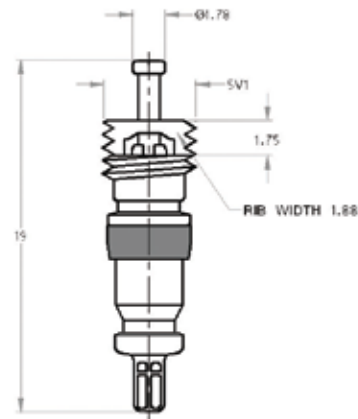
PRODUCT TYPE	ACCESSORIES - TR NO.	
TRITON	RING WASHER	HEX. NUT
T 82 78-M (BB)	RW 4	HN 1

## STANDARD BORE VALVE CORE-SHORT



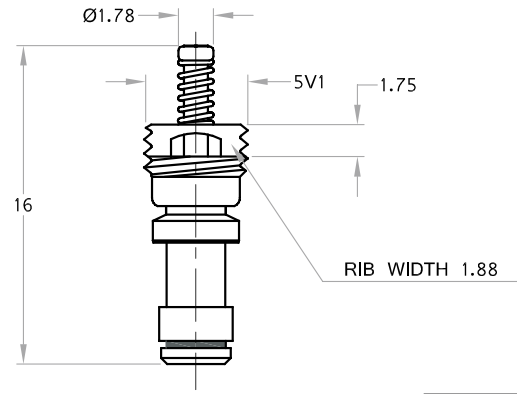
PRODUCT TYPE	
TRITON	TR NO.
TR C 1 SHORT	C 1 SHORT

## STANDARD BORE VALVE CORE-SHORT INSIDE SPRING



PRODUCT TYPE
TRITON
TR C 1(INS)-SHORT

## RUBBER BASED TRUCK & BUS CURING BAG VALVE

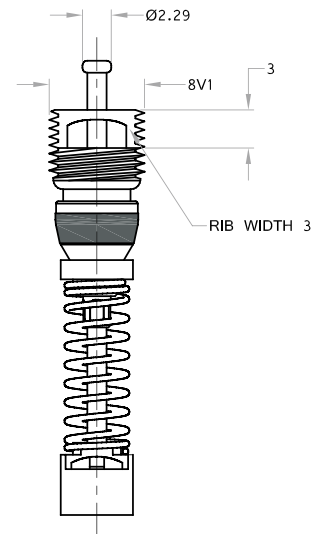


PRODUCT TYPE

TRITON

TR C 1 (MHT) SHORT

## RUBBER BASED CURING BAG VALVE (BROMO BUTYL)



PRODUCT TYPE

TRITON

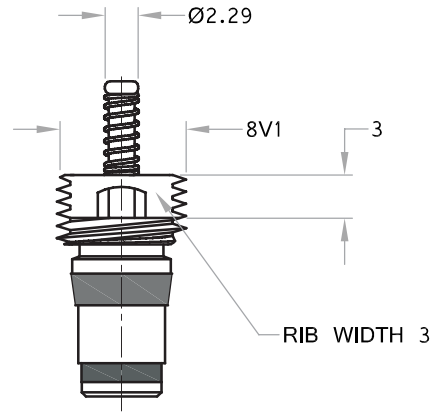
TR NO

TR C 2 LONG

C 2 LONG

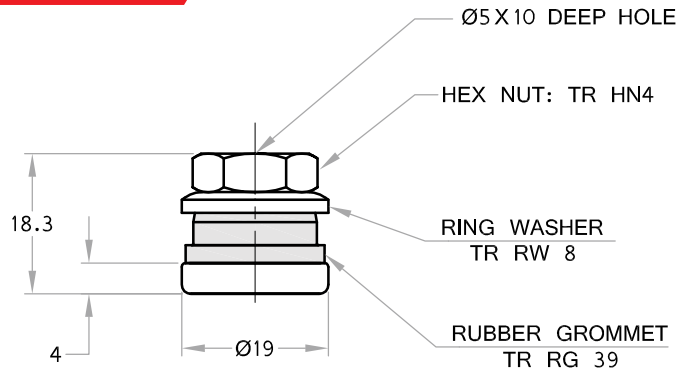


# STANDARD BORE VALVE CORE-SHORT



PRODUCT TYPE	
TRITON	TR NO.
TR C 2 SHORT	C 2 SHORT

## TUBELESS RIM HOLE PLUG

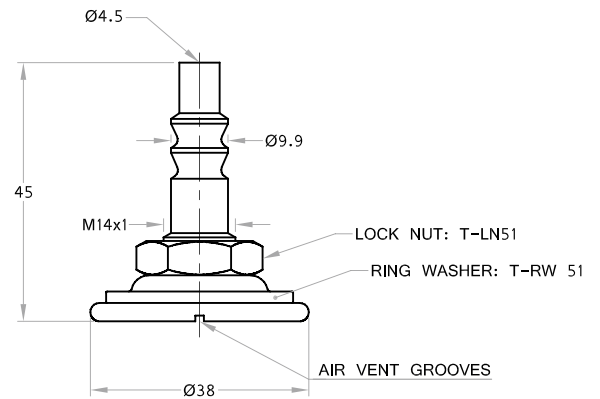


PRODUCT TYPE

TRITON

T-RP 2

## ENVELOPE ADAPTER

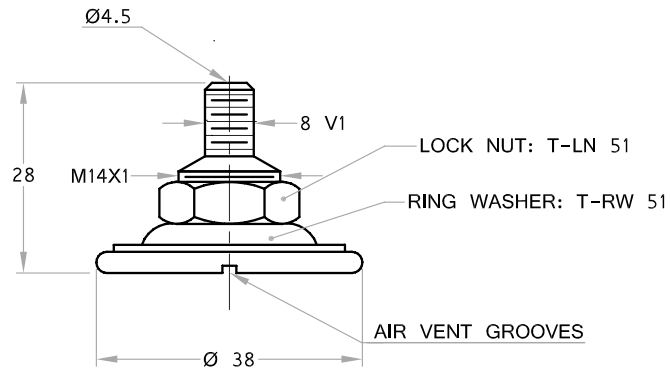


PRODUCT TYPE

TRITON

TEA 1

## ENVELOPE ADAPTER

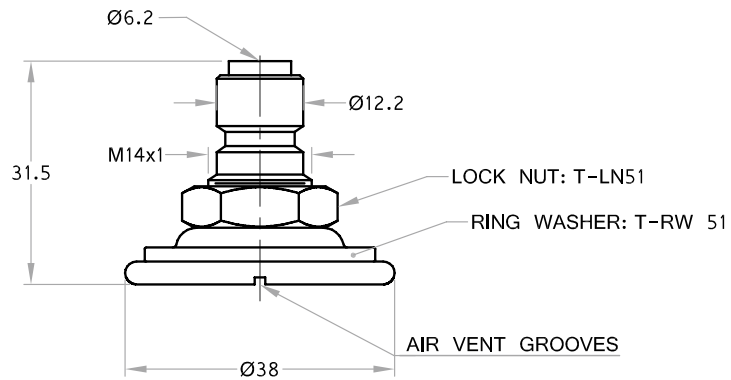


PRODUCT TYPE

TRITON

TEA 2

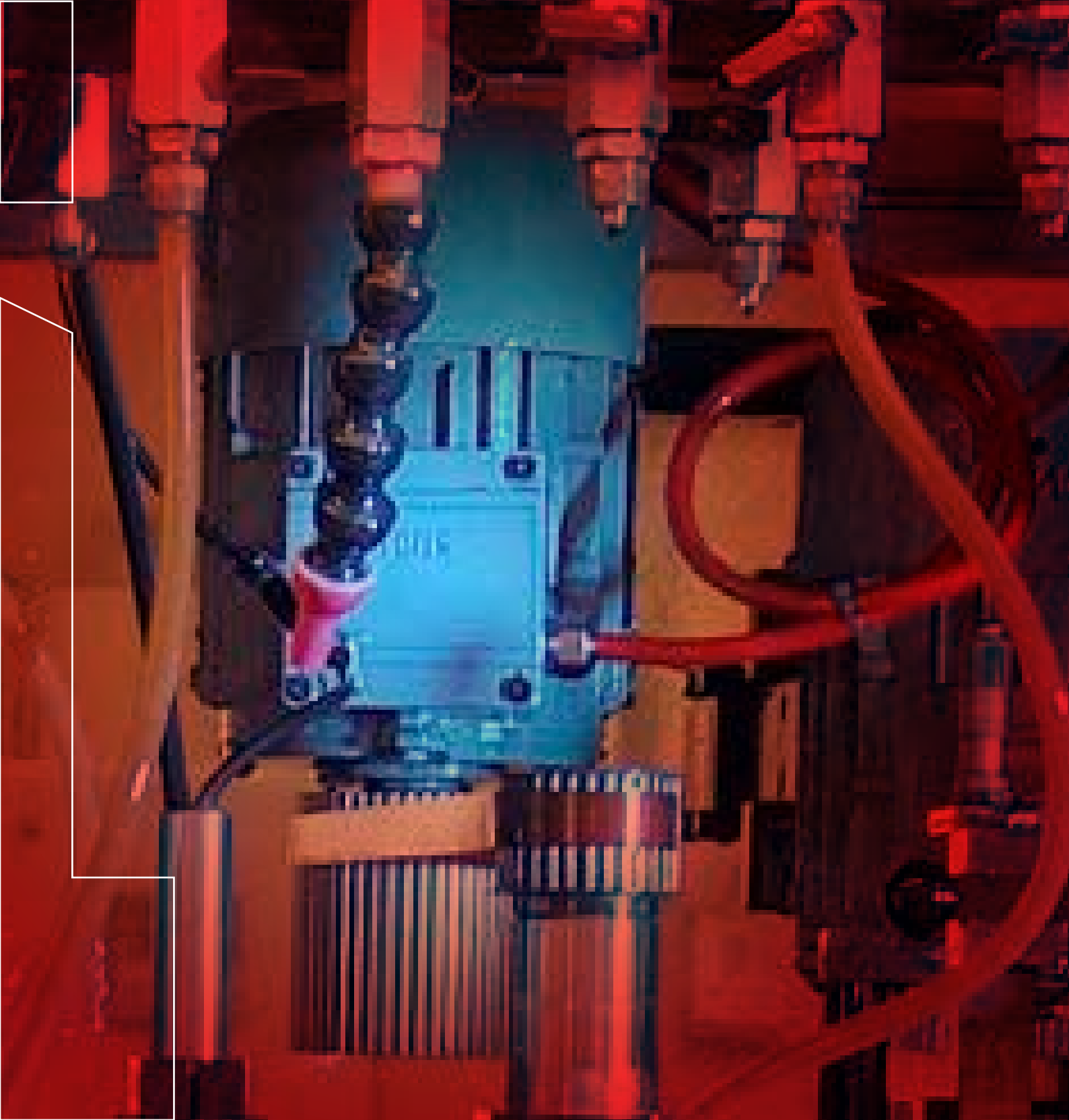
## ENVELOPE ADAPTER

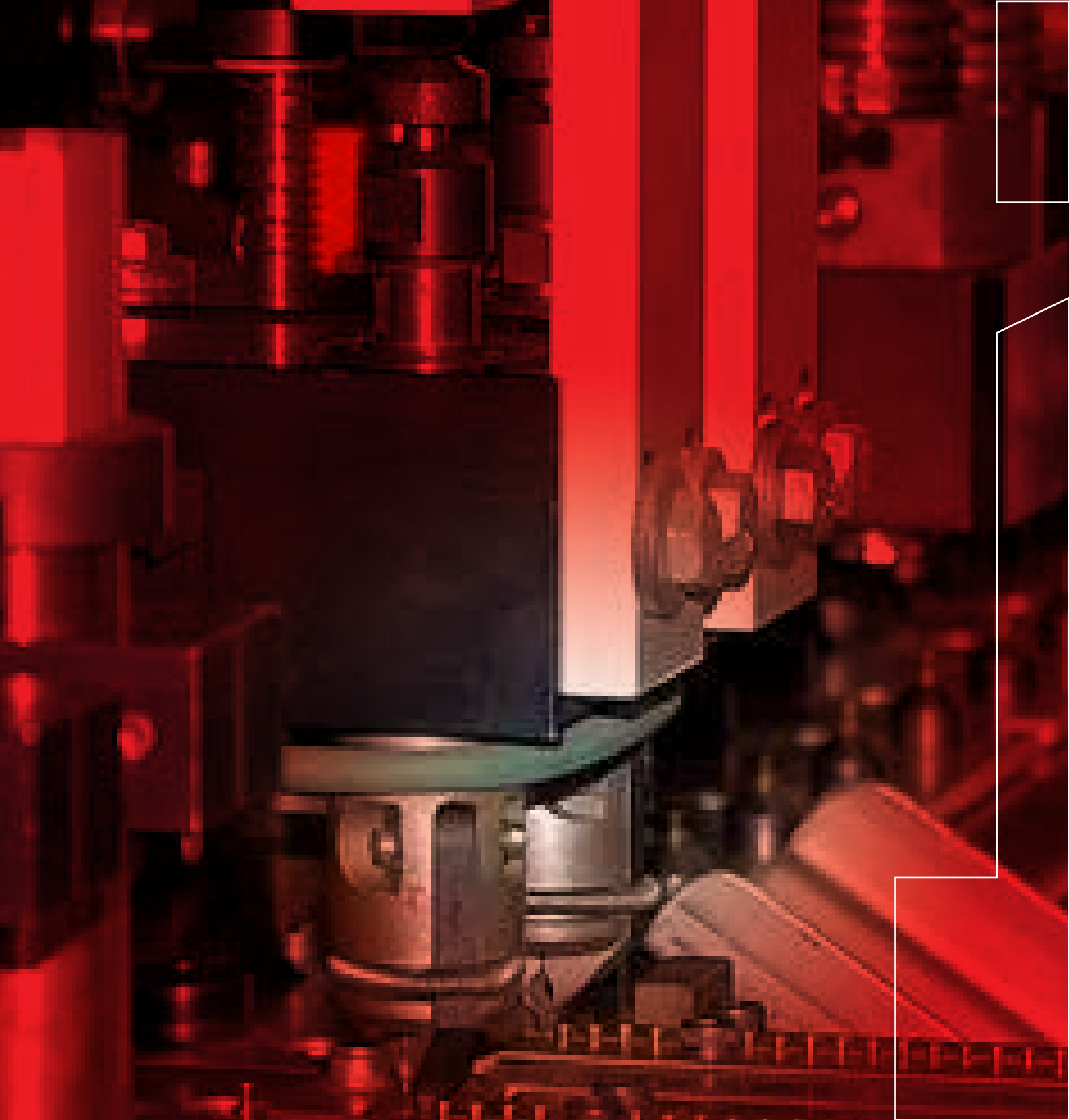


PRODUCT TYPE

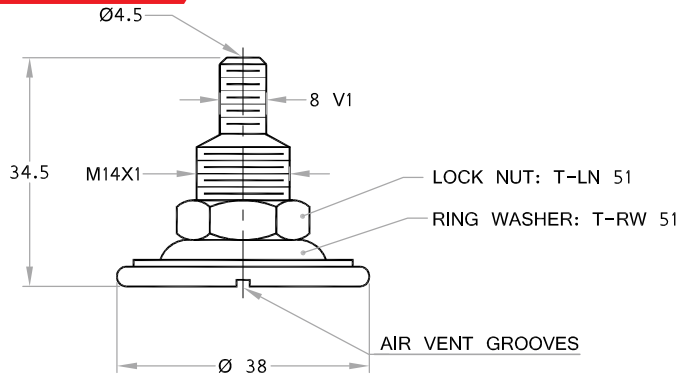
TRITON

TEA 3





## ENVELOPE ADAPTER

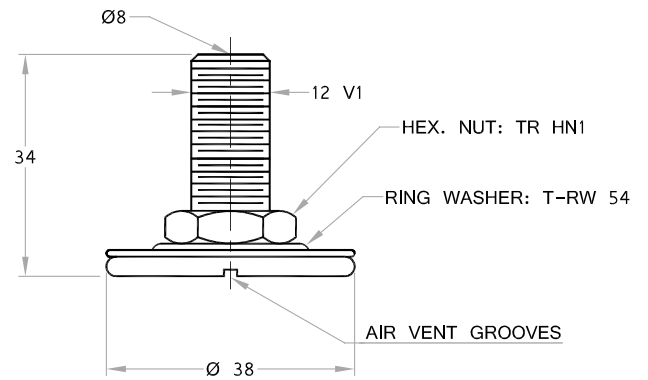


PRODUCT TYPE

TRITON

TEA 5

## ENVELOPE ADAPTER

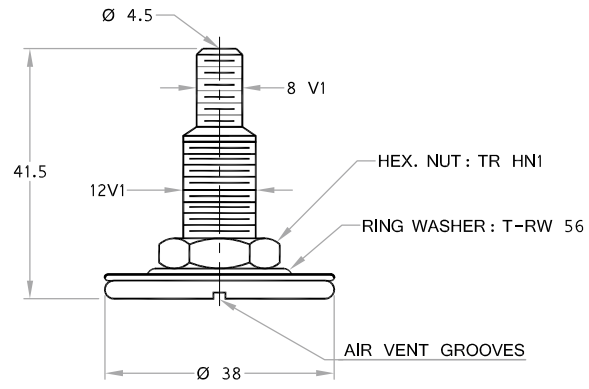


PRODUCT TYPE

TRITON

TEA 6

## ENVELOPE ADAPTER

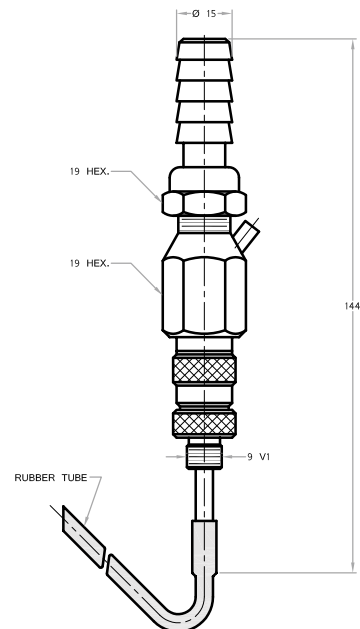


PRODUCT TYPE
--------------

TRITON
--------

TEA 9
-------

## WATER FILLING ADAPTER

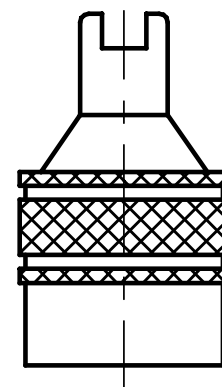


PRODUCT TYPE
--------------

TRITON
--------

TWA 1
-------

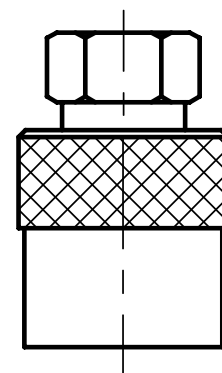
## VALVE CAP - LARGE BORE



METAL CAP WITH SCREW DRIVER TOP

PRODUCT TYPE	
TRITON	TR NO.
TR VC 6	VC 6

## VALVE CAP - LARGE BORE

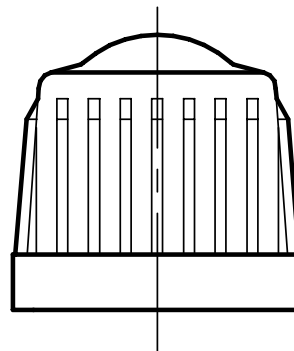


HEXAGONAL METAL CAP

PRODUCT TYPE	
TRITON	TR NO
TR VC 7	VC 7



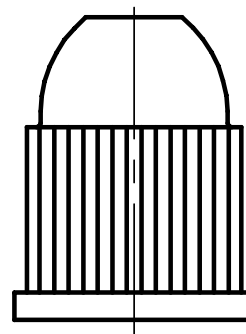
## VALVE CAP - STANDARD BORE



PLASTIC VALVE CAP - SHORT

PRODUCT TYPE
TRITON
T-VC8-S

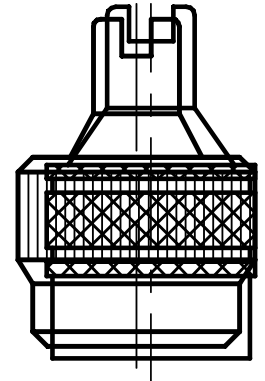
## PROTECTOR - STANDARD BORE



PROTECTOR FOR TR VC 2 VALVE CAP

PRODUCT TYPE
TRITON
-1 TPR

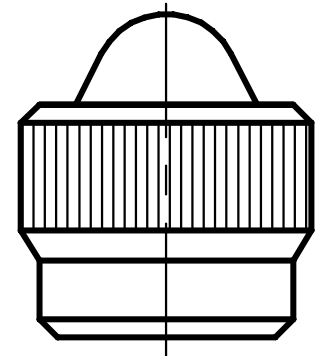
## VALVE CAP - STANDARD BORE



METAL CAP WITH SCREW DRIVER TOP

PRODUCT TYPE	
TRITON	TR NO.
TR VC 2	VC 2

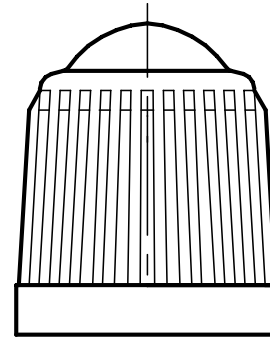
## VALVE CAP - STANDARD BORE



METAL CAP - DOME TYPE

PRODUCT TYPE	
TRITON	TR NO.
TR VC 3	VC 3

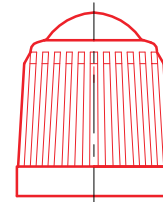
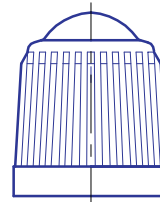
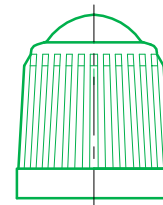
## VALVE CAP - STANDARD BORE



PLASTIC VALVE CAP

PRODUCT TYPE	
TRITON	TR NO.
TR VC 8	VC 8

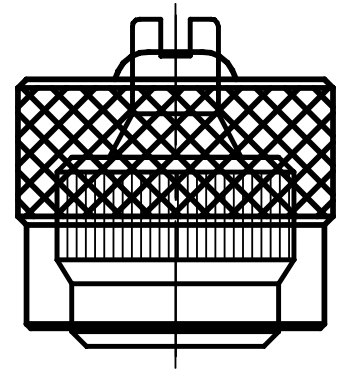
## VALVE CAP - STANDARD BORE



COLORED PLASTIC VALVE CAP

PRODUCT TYPE
TRITON
TR VC 8 (YELLOW)
TR VC 8 (GREEN)
TR VC 8 (BLUE)
TR VC 8 (RED)

## VALVE CAP - STANDARD BORE



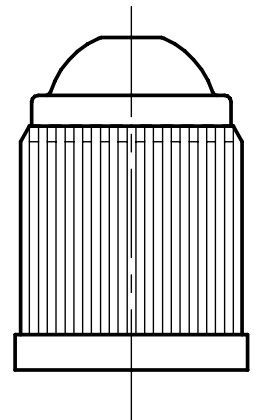
METAL CAP

PRODUCT TYPE
--------------

TRITON
--------

T- VC3 - 1
------------

## VALVE CAP - STANDARD BORE



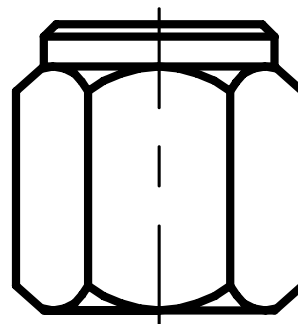
PLASTIC VALVE CAP - SEALING TYPE

PRODUCT TYPE
--------------

TRITON
--------

T- VC8 - CL
-------------

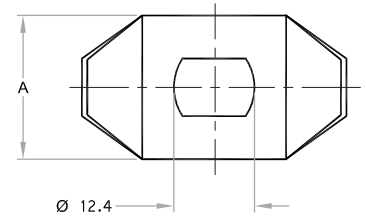
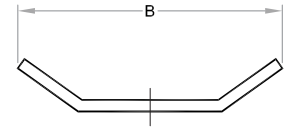
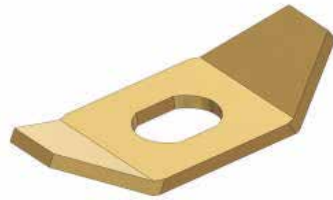
## VALVE CAP - STANDARD BORE



HEXAGONAL METAL CAP

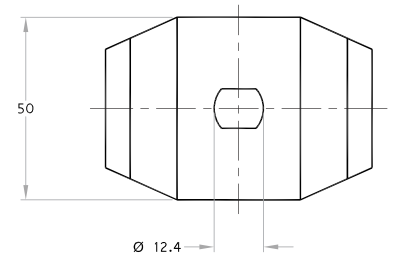
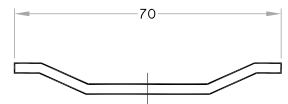
PRODUCT TYPE
TRITON
T- VC 5

## VALVE SPUDS FOR LARGE BORE SCREW-ON TUBE VALVES - OTR



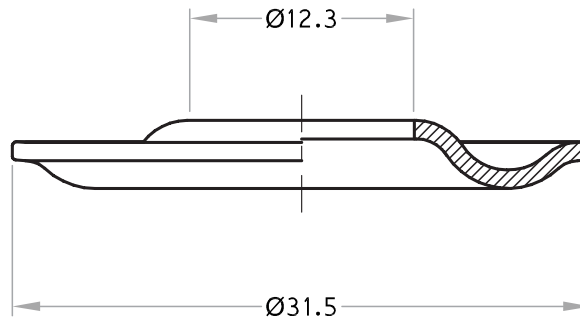
PRODUCT TYPE		A	B
TRITON	TR NO.		
TR BW 1	BW 1	24	47
TR BW 2	BW 2	28.5	54
TR BW 3	BW 3	33	57

## LARGE BORE SCREW-ON TUBE VALVES - OTR



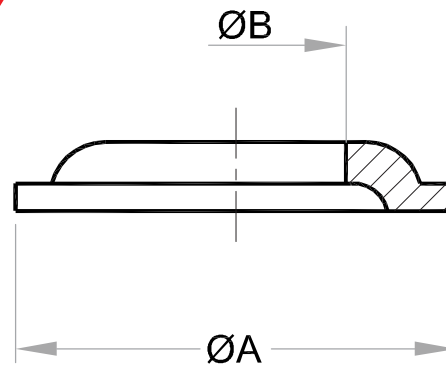
PRODUCT TYPE	
TRITON	TR NO.
TR BW 4	BW 4

## LARGE BORE SCREW-ON TUBE VALVE - OTR



PRODUCT TYPE	
TRITON	
T - RW 59	

## LARGE BORE SCREW-ON TUBE VALVE - OTR

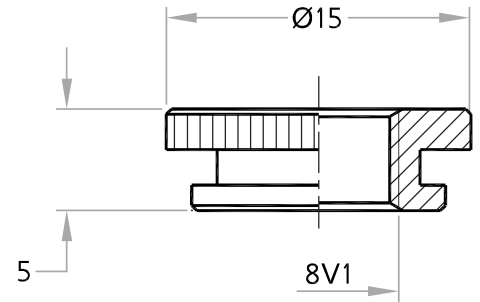


PRODUCT TYPE		ØA	ØB
TRITON	TR NO		
TR RW 3	RW 3	27	12.4
TR RW 4	RW 4	32.5	12.4
TR RW 12	RW 12	16	8
TR RW 12A **	-	16	8
R 31	R 31 *	21	10.5

\* R 31 IS JATMA CODE

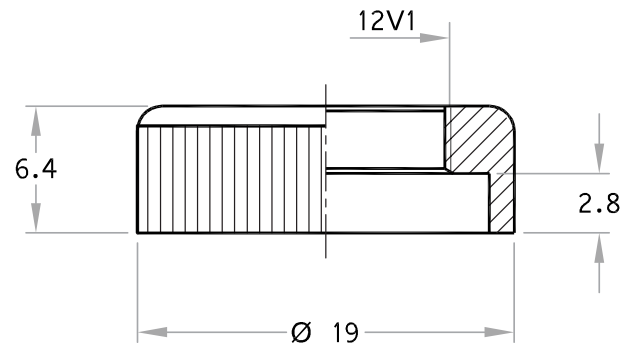
\*\* ALUMINIUM RING WASHER

## RIM NUT



PRODUCT TYPE	
TRITON	
T - 252	

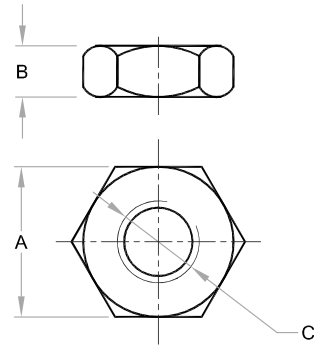
## RIM NUT



PRODUCT TYPE	
TRITON	TR NO.
TR LN 10	LN 10



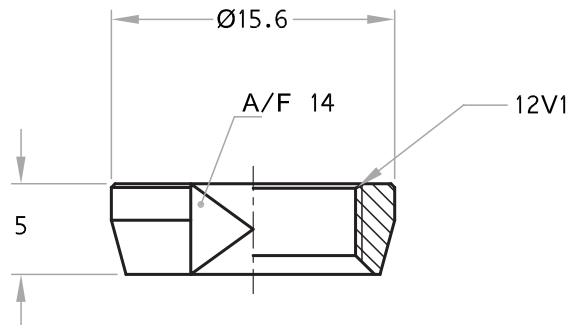
## HEX NUTS



PRODUCT TYPE		A	B	C
TRITON	TR NO.			
TR HN 1	HN 1	16	5	12V1
TR HN 2	HN 2	12.7	3	8V1
TR HN 4	HN 4	14	5	10V2
TR HN 4Ni	∅	14	5	10V2
BN 1	BN 1 *	12	4	8V1

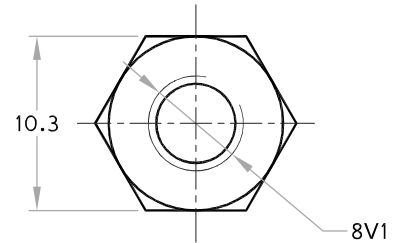
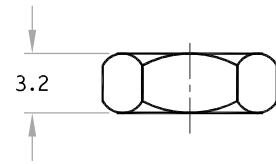
\* BN 1 JATMA CODE  
Ni = NICKEL PLATED

## LOCK NUT



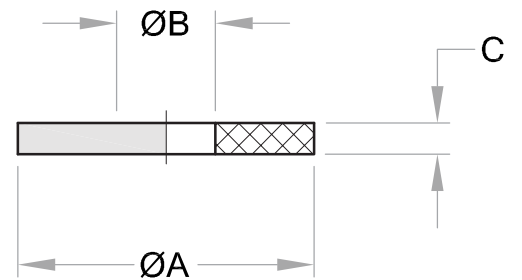
PRODUCT TYPE
TRITON
T-LN 53

## RIM NUT



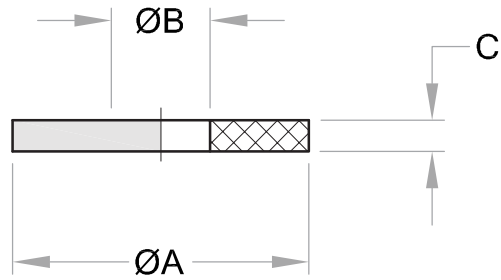
PRODUCT TYPE	
TRITON	TR NO.
T-LN 3	LN 3

## RIM NUT



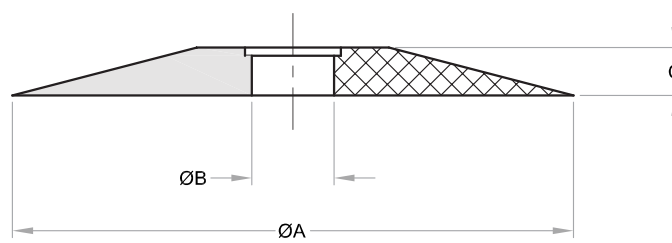
PRODUCT TYPE		ØA	ØB	C
TRITON	ETRT0			
V9.05.1	V9.05.1	24	8	2.5
T-RUW 53	---	27	12.5	2
T-RUW 55	---	32	12.3	2

## HEX NUTS



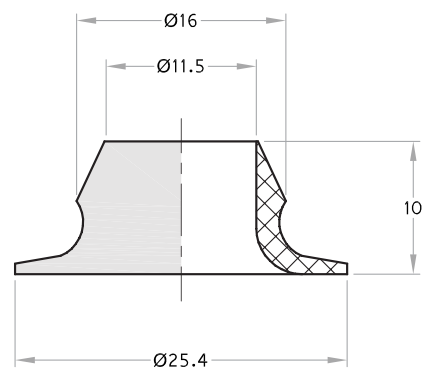
PRODUCT TYPE		ØA	ØB	C
TRITON	ETRTO			
V9.05.1	V9.05.1	24	8	2.5
T-RUW 53	---	27	12.5	2
T-RUW 55	---	32	12.3	2

## LOCK NUT



PRODUCT TYPE	A	B	C
T 114-1(BB)	114	12	9.5
T 82-1 (B)	82	12	7

# BUSH



PRODUCT TYPE

TRITON

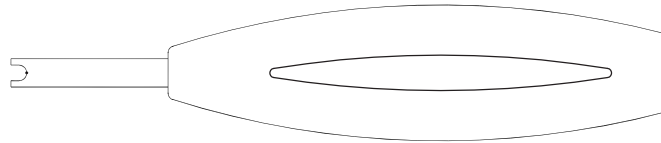
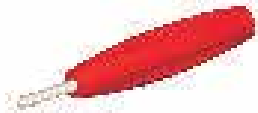
TR B6

VALVE CORE TIGHTNER FOR STANDARD BORE  
DOUBLE ENDED TYPE CORE TIGHTNER



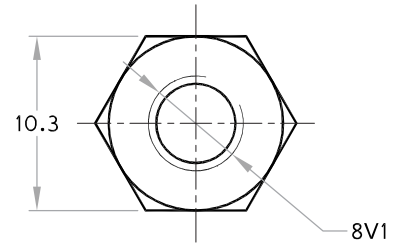
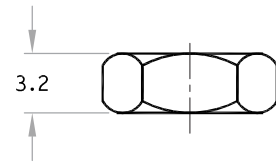
PRODUCT TYPE
TRITON
TCT-1

SCREW DRIVER TYPE CORE TIGHTNER



PRODUCT TYPE
TRITON
TST-1

**TUBELESS SNAP-IN VALVE PULLER  
(PLASTIC HANDLE) - PASSENGER CAR**

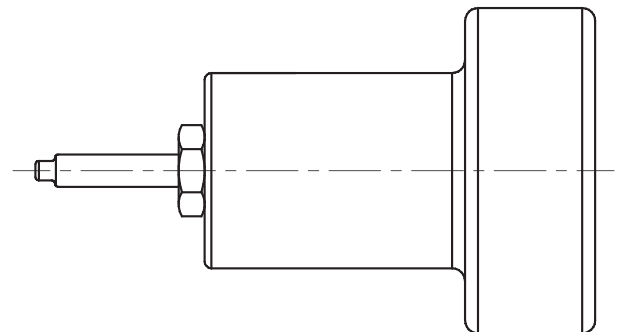


PRODUCT TYPE

TRITON

TVP-3

**TUBELESS SNAP-IN VALVE PUSHER  
(PLASTIC HEAD) - MOTORCYCLE**

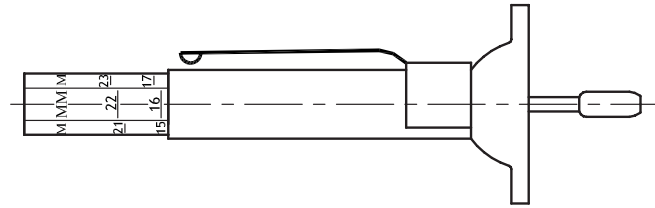


PRODUCT TYPE

TRITON

TVP-8

TUBELESS SNAP-IN VALVE PULLER  
(PLASTIC HANDLE) - PASSENGER CAR



PRODUCT TYPE
TRITON
TCT-1990



**TRITON**

Challenging Excellence

---

**TRITON VALVES LIMITED:**

**Registered Office:**

Sunrise Chambers, 22 Ulsoor Road,  
Bangalore - 560042, Karnataka, India  
Ph : 91 80 558 8965 / 558 / 8966/558 8968  
Fax : 91 80 558 6483 / Telex : 845-2546  
Email : [info@tritonvalves.com](mailto:info@tritonvalves.com)  
Web : [www.tritonvalves.com](http://www.tritonvalves.com)

**FACTORY:**

Mercara Road, Belavadi,  
Mysore - 570018, Karnataka, India  
Ph : 91 821 402411 / 4024 / 402476  
Fax : 91 821 402729 / Telex : 846-375  
Email : [tritonmy@bgl.vsnl.net](mailto:tritonmy@bgl.vsnl.net)

---